

# Seven stage filtration. One filter.

## 41 Series Airline Filters

### COMPLIANCE

OSHA requires that employers provide their workers with Grade D breathing air. Bullard 41 Series Filters provide 7-stage filtration that can be combined with carbon monoxide (CO) monitoring and other safeguards to help meet this requirement. They may also be used to supply drier, cleaner air to tools and pneumatic systems to reduce downtime and repair costs.

### DESIGN

#### Heavy Duty

- Steel construction for rugged industrial environments

#### High Capacity

- Large disposable filter cartridge for long life

#### Lightweight

- Weighs only 23 pounds

#### Portable

- Carrying handle available for easy transport

#### Options

- Two or six outlets
- Free standing or wall mountable

### 7-STAGE FILTRATION

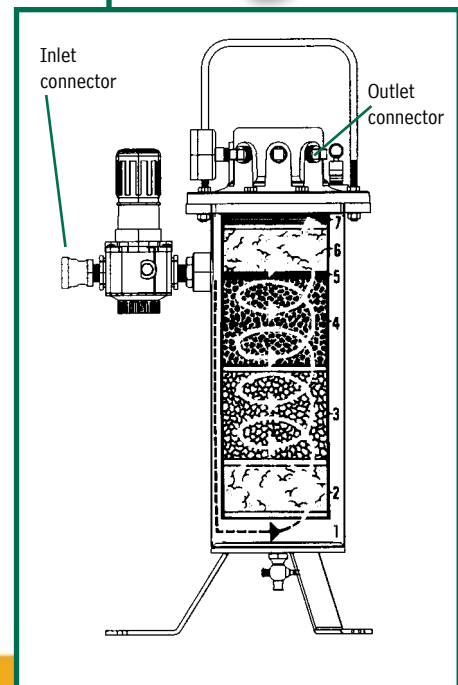
1. Water is removed by condensation of air in outer cylinder.
2. Carded cotton removes particulates.
3. Activated alumina adsorbs oil and moisture.
4. Activated charcoal removes odors and moisture.
5. Felt material removes particulates.
6. Carded cotton removes particulates.
7. Respiratory felt at final stage acts as a final filter before air is transferred to worker or air driven tools.



CO Monitor  
Part number: COHP

Remote Alarm  
Part number: RA

Airline Filter  
Part number:  
41P2



# 41 Series Airline Filters

## Technical Specifications



Airline Filter	Model 41A	Model 41P2	Model 41P6	Model 41P6WM	Model 41P2E
Max. Air Flow Rate	100 CFM* (2830 lpm)	75 CFM (2120 lpm)	75 CFM (2120 lpm)	75 CFM (2120 lpm)	75 CFM (2120 lpm)
Inlet Connection	1" NPT (Fem.)	1" NPT (Fem.)	1" NPT (Fem.)	1" NPT (Fem.)	3/4" (19 mm) NPT(Fem.)
Outlet Connection	1" NPT (Fem.)	Two outlets 1/4" and 3/8" NPT (Fem.)	Six outlets 3/8" NPT (Fem.)	Six outlets 3/8" NPT (Fem.)	Two outlets 1/4" (6 mm) BPT (Fem.)
Relief Valve	–	125 psig (8.6 bar)	125 psig (8.6 bar)	125 psig (8.6 bar)	125 psig (8.6 bar)
Tank Diameter	5 1/2" (14 cm)	5 1/2" (14 cm)	5 1/2" (14 cm)	5 1/2" (14 cm)	5 1/2" (14 cm)
Height	19" (48 cm)	23 1/2" (60 cm)	25 1/4" (64 cm)	22" (56 cm)	23 1/2" (60 cm)
Weight	19 lb. (8.6 kg)	22 lb. (10 kg)	24 lb. (10.9 kg)	28 lb. (12.7 kg)	22 lb. (10 kg)

\*At maximum recommended pressure of 100 psig (6.9 bar)

### Ordering Information

#### Product Description

##### CO Monitor and Filter

COHP	CO Monitor for use with 41 Series Filters
COHP41P2	Combination CO Monitor with 7-Stage Filtration, 75 CFM, two outlet unit
COHP41P6	Combination CO Monitor with 7-Stage Filtration, 75 CFM, six outlet unit
RA	Remote Alarm for use with COHP and CAB systems

##### Airline Filter

41A	Single-outlet filter. Pressure gauge, relief valve and pressure regulator not included. Does not meet NIOSH requirements for Point of Attachment
41P2	Two-outlet filter with pressure gauge, relief valve and pressure regulator. Meets NIOSH requirements for Point of Attachment
41P6	Six-outlet filter with pressure gauge, relief valve and pressure regulator. Meets NIOSH requirements for Point of Attachment
41P6WM	Six-outlet filter with wall-mount bracket, pressure gauge, relief valve and pressure regulator. Meets NIOSH requirements for Point of Attachment

#### Product Description

41P2E	Two-outlet filter with pressure gauge, relief valve, pressure regulator, and hose adapter fitting, plus adapters suitable for European threaded connections
-------	---

##### Replacement Parts

41AF	Replacement filter cartridge
41P6UPK	Six-outlet manifold upgrade (includes manifold, regulator assembly, relief valve, and gauge) for 41P6
41P2M	Two-outlet manifold assembly (includes manifold with regulator, relief valve and gauge) for 41P2 and 41P2E
41PRV	Pressure relief valve for 41P2, 41P2E, and 41P6/41P6WM airline filters. Set at 125 psig (8.6 bar)
41RG	Regulator gauge for 41P2, 41P2E, and 41P6 airline filters
41P2R	41P2 regulator and assembly (For use with flat top design only)
41EAK	European adapter kit for 41P2E containing: (One) 1" (25 mm) x 3/4" (19 mm) Pipe Reducing Bushing, (One) 3/8" (7 mm) x 1/4" (6 mm) Reducing Bushing and (Two) 1/4" (6 mm) British Thread Adapters.

### WARNING

The 41 Series Airline filters do not remove carbon monoxide and other toxic gases. Review and observe all pertinent federal and state safety regulations in conjunction with airline respirators. Failure to observe safety regulations or improper use of Bullard Airline Filters could result in death or serious injury.

### WARNING

Filter cartridge must be changed periodically for maximum efficiency. Frequency of cartridge changes depends on operating conditions. Cartridge should be changed immediately if respirator wearer feels, smells or tastes contaminants inside the respirator. Filter tank should be drained at least daily to remove trapped water and oil (a petcock is provided on the bottom of the tank for this purpose). Failure to follow these instructions could result in death or serious injury. Failure to observe safety regulations or improper use of Bullard Airline Filters could result in death or serious injury.

Bullard products are manufactured to exacting specifications. Any alteration or modification of these products by the user may adversely affect product performance. This information is in summary form only for easy reference. Refer to labels, instruction sheets and other literature accompanying the product for more complete details regarding product installation, use, maintenance, warnings, performance capabilities, complete specifications, user instructions and precautions.

**Americas:**  
**E.D. Bullard Company**  
 1898 Safety Way • Cynthiana, KY 41031-9303  
 Toll free: 877-BULLARD (285-5273)  
 Tel: 859-234-6616 • Fax: 859-234-8987  
[www.bullard.com](http://www.bullard.com)

**Europe:**  
**Bullard GmbH**  
 Lilienthalstrasse 12  
 53424 Remagen • Germany  
 Tel: +49-2642 999980 • Fax: +49-2642 9999829  
[www.bullardextrem.com](http://www.bullardextrem.com)

**Asia-Pacific:**  
**Bullard Asia Pacific Pte. Ltd.**  
 LHK Building  
 701, Sims Drive, #04-03 • Singapore 387383  
 Tel: +65-6745-0556 • Fax: +65-6745-5  
[www.bullard.com](http://www.bullard.com)

©2008 Bullard. All rights reserved.



6088008554A (0508)