



SERIES 3000

ABRASIVE BLASTING & PERSONAL SERVICE LIGHTS

Distributed By:

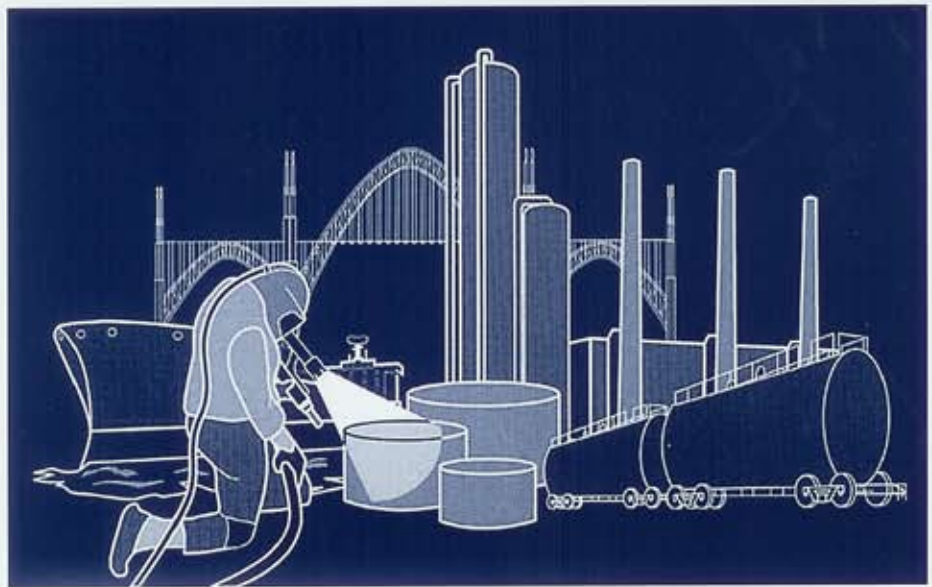
Dawson-Macdonald Co., Inc.
845 Woburn Street - Wilmington, MA 01887
Phone: (800) 556-4456 (toll free) Fax: (978) 657-8740
E-mail: info@dawson-macdonald.com
Website: www.dawson-macdonald.com



THE SERIES 3000

From nearly two decades of service in the destructive conditions of sandblasting emerges a line of multipurpose low voltage **PERSONAL SERVICE LIGHTS**

Each light is designed to withstand rough handling in severe environments.



Consider this Cost Comparison

(In a sandblasting application over a 48-hour period)

SERIES 3000
Lighting System



\$11.76

Conventional Lighting
using par lamps



\$136.00

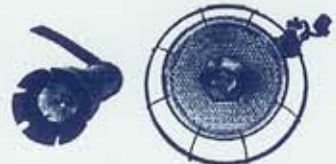
Note: Conventional lighting estimate based on average of one \$4 lamp every two hours. Assuming that an operator is paid \$10 per hour and the disruption in production is approximately ten minutes per replacement, the direct cost of labor and bulbs is \$136 every 48 man-hours. An operator using a WESTERN TECHNOLOGY™ light will consume an average of only one lamp and one replaceable pyrex lens. The resulting savings using a WESTERN TECHNOLOGY™ Lighting System is \$124.24 per operator in the same 48 man-hour period.



WESTERN
TECHNOLOGY™
Halogen Lamps



Par Lamp

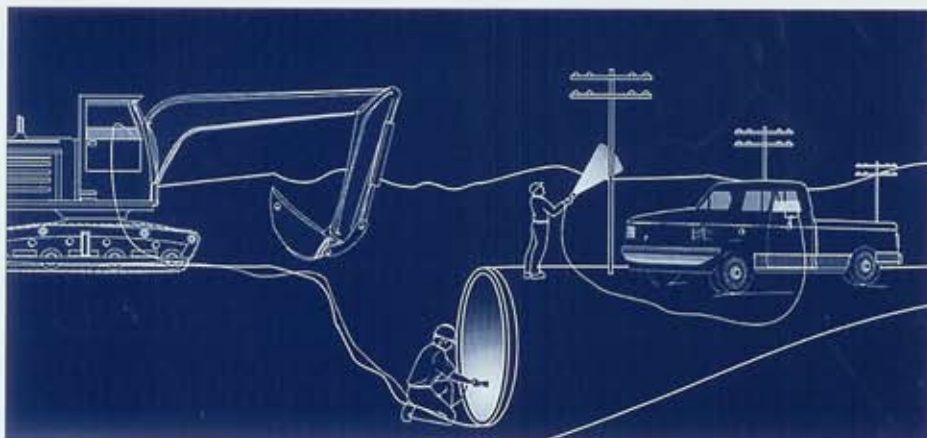
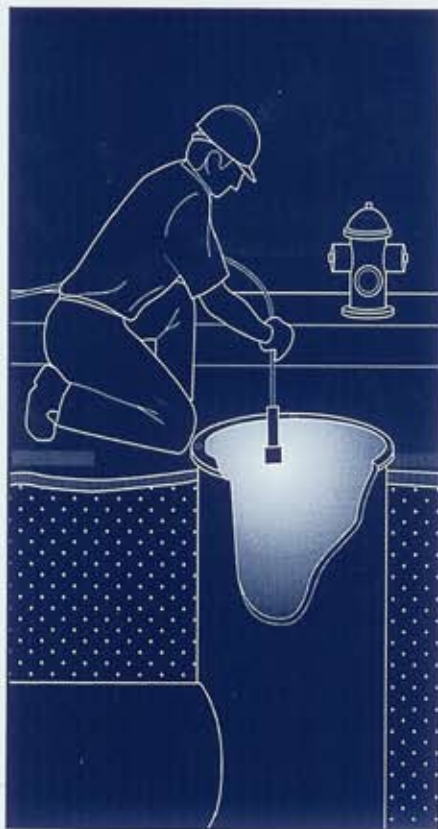


SERIES 3000 Par Lamp
with holder

All SERIES 3000 Lights
are smaller than par lamps with no holder.

ABRASIVE BLASTING & PERSONAL SERVICE LIGHTS

Features and Applications



Today the **SERIES 3000 Lights** are demonstrating their reliability in many industries

Features:

High Performance

Produces more illumination 18" - 24" from the work surface than a par 38, 150 watt par lamp even though the par lamp is many times larger, and far heavier. The light produced from the Halogen bulb is clear and white, not the yellowish tint given off by par lamps.

Long Lasting

All parts exposed to the environment are constructed of durable Polytech® except the replaceable pyrex lens.

Safe, Low Voltage

Power packs reduce 110 or 220 VAC input to 17 VAC output (50-60 cycle), or 12 volt DC.

Economical

Immediate and substantial savings from reduced bulb breakage.

Increased Productivity

Substantially reduced worker downtime for lamp replacement

Security

Specialization of bulb and fixtures means reduced theft

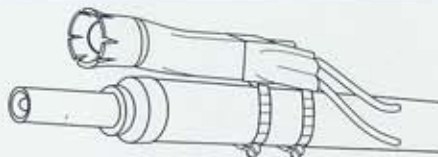
Shipbuilding
Rail Cars
Bridges
Petrochemical
Water and Sewer
Power Generation
Power Distribution
Tank Fabrication
Inspection
Coating
Heavy Equipment Service
Trouble Light
Sandblasting
Telecommunication
Emergency Service
Quality Control
Boiler Repair

About WESTERN TECHNOLOGY™

WESTERN TECHNOLOGY™ was founded in 1978. Our first products were developed specifically for the severe and hazardous applications common to Marine and Industrial abrasive blasting and painting. Today our products can be found on almost any kind of job site world wide. Our company's reputation for worker safety and product reliability have earned us the most sought after reward — operator preference and repeat business.

3200

Combines abrasive blast deadman control with low voltage high performance light. System Provides maximum operator safety with excellent illumination for increased productivity. The 3200 may be ordered for electric (3200ES) or pneumatic (3200PS) deadman controls. The light can be removed from deadman control when not required. 3200 is ideal for blast cleaning large easy to reach areas.



3300LT

Multipurpose low voltage liquid tight high performance light. This system is designed for applications where water or moisture is present in the work area. One severe application is hydroblasting.



3300S

Multipurpose low voltage high performance light. System is designed for very severe and/or harsh applications. The 3300 has established the standard for hose mounted lights used in abrasive blasting operations. It is ideal for very dirty hand held or hose mounted applications providing for maximum operator flexibility.



3400

Multipurpose low voltage high performance light. The 3400 is designed to operate without compression. This system is a favorite for applications where 12 VDC power is available and is the standard light for bridge blasting contractors. The 3400 may be hand held or hose mounted.



Electric Power Cord/Cord Connector

14.26 Wire for use with all WESTERN TECHNOLOGY™ Multipurpose Lights. 16.26 Wire for Electric Deadman Switches. Cut to length and coiled. Same day shipment.
3-PART STRAIN RELIEF CORD CONNECTOR
#3113 for 16.26 wire, #3113-1 for 14.26 wire.



Power Source Options & Accessories



- Notes:**
- 3200, 3300LT, 3300S require 120 VAC power input to power pack (17 V out) and 40 CFM of clean compressed air delivered at 10 psig. The design incorporates compressed air to produce maximum illumination and extended bulb life through cooling.
 - 3400 operates on 12 VDC power input or 12 VAC input to power pack (12 V out)
 - 3300LT, 3300S, 3400 are designed to use optional light stanchion #3112.
 - All models are available with optional 220 V step down transformer.
 - Models are available in single or multiple outlet systems.

Products and services available worldwide through selected authorized distributors.





*Western Technology
for all your lighting needs.
If you don't see it – ask for it.
We source around the world.*

**Series 2000
Series 3000**

SERIES 2000

Product Group:

LIGHT METER

- Model 2000 Light Meter

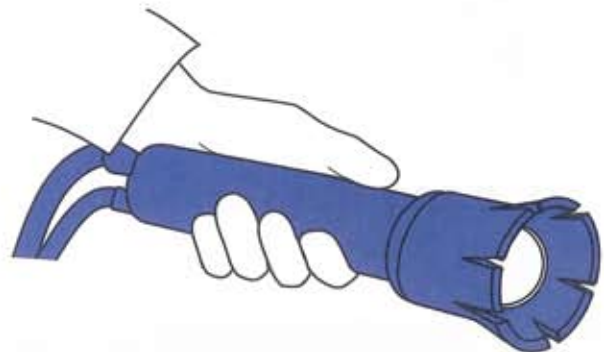
SERIES 3000

**The original at
competitive prices!**

HIGH PERFORMANCE MULTIPURPOSE / ABRASIVE / HYDRO BLASTING LIGHTS*

- Model 3200ES Electric Light System*
- Model 3200PS Pneumatic Light System*
- Model 3300S Light System*
- Model 3300SLT Liquid Tight Light System
- Model 3400 Light System*

*Available in 110 volt or 220 primary power



Designing Lighting Levels Tank & Containment Lighting Projects

The design requirement for temporary lighting system must consider several factors;

- The level of natural lighting and the reflective nature of the work surface.
- The work being performed and the type of light required for the function.
- The need to balance portability, durability and quality of light.

The primary design requirement for temporary lighting is to continually "achieve improvements in productivity, product quality and accident prevention."



2000 Light Meter

The proper use of the 2000 Light Meter allows the contractor to choose and position lights to achieve the best lighting results. Standards have been established that base universal measurement on holding the light meter against the work surface with the nearest light source being at least six (6) feet away. The light meter is designed to give readings in "foot candles." Ten (10) foot candles is the minimum recommended lighting level for the general work area. Fifteen (15) foot candles is the minimum recommended for specific tasks such as sandblasting, painting, and inspection. This level of lighting will help the contractor maintain a safe work space, increase productivity and produce a quality product. The recommended minimum lighting levels are reasonable and are supported by the SSPC Industrial Lighting Task Force.

WESTERN TECHNOLOGY™ designs lighting for the painting and construction industry. For assistance in lighting your next project and for additional information please call.

MODEL 3200ES ABRASIVE BLAST LIGHT SYSTEM COMPLETE

120V System price per number of outlets from a single power pack (17V out). Price includes per outlet, (1) 3200 Light Assembly, (1) 3200E Combination Electric Deadman Remote Control Switch/Light Plug-In, (1) 1102 Ball & Chain, 4' cord, (2) 3111 Hose Clamps, (2) 3113-1 Cord Connectors (1 each for 2 or more outlets), (1) 3114 Pre-wired splitter with (1) 3115 & (1) 3116 Plugs, (1) 3203 Protective Front cover, Technical Bulletin & Wiring Chart. (220V Systems available, pricing on request.)

ITEM

1 Outlet
2 Outlet
3 Outlet
4 Outlet
5 Outlet

ITEM

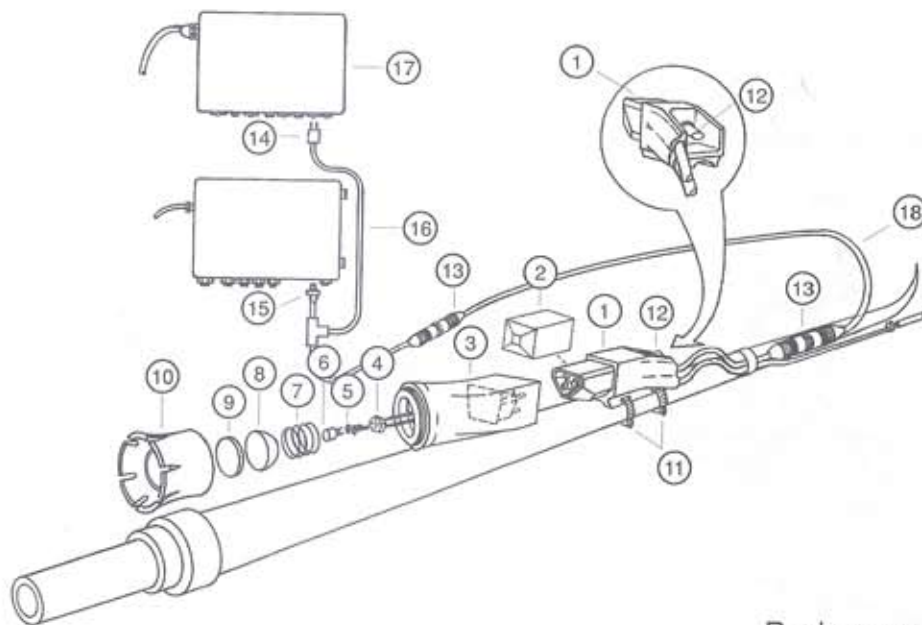
6 outlet
7 Outlet
8 Outlet
9 Outlet
10 Outlet

Ask about our *cut to order* Electric Power Cord

3200ES requires 40 PSI of clean compressed air delivered at 4-6 CFM.

MODEL 3200ES ABRASIVE BLAST DEADMAN REMOTE CONTROL LIGHT

ITEM #	PART #	DESCRIPTION
1	3200	Abrasive Blast Light - Complete
	3200E	Combination Electric Deadman Remote Control Switch/Blast Light Receptacle with 4' cord.
2	3203	Protective Front Cover
11	3111	Hose Clamp - Screw Type (2)
13	3113-1	Cord Connector - 3 Part - Strain Relief Type - 3/4" (2)
16	3114	Pre-wired Splitter with 3115 & 3116 Plugs
17	3127	Power Pack - Multi Outlet Power Packs Available



Model 3200ES
Replacement Parts & Accessories

ITEM #	PART #	DESCRIPTION
3	3201	Abrasive Blast Light Body Only
4	3103	Lamp Socket
5	3105	Metal Screw (2)
6	3106	Halogen Bulb (box of 10)
7	3207	Spring, Retainer
8	3108	Reflector
9	3109	Pyrex Lens (box of 12)
10	3202	Shock Absorbing Light Collar
12	3101	Toggle Switch Boot - Electric
14	3116	Male Twist Lock Plug - Power Pack Box
15	3115	Male Twist Lock Plug - Remote Control Box
18	16.46	Premium Power Cord 16/4 SO
	3117	Female Twist Lock Receptacle (not shown)
		Counterpart to P/N 3115
	3118	3 Prong Plug (not Shown)

MODEL 3200PS ABRASIVE BLAST LIGHT SYSTEM COMPLETE

120V System price per number of outlets from a single power pack (17V out). Price includes per outlet, (1) 3200 Light Assembly, (1) 3200P Combination Twin Line Pneumatic Deadman Remote Control Valve/Light Plug-In, (1) 1102 Ball & Chain, 4' cord, (2) 3111 Hose Clamps, (2) 3113-1 Cord Connectors (1 each for 2 or more outlets), 3116 Male Twist Lock Plug [for (2) or more outlet power pack], (1) 3203 Protective Front Cover, Technical Bulletin & Wiring Chart. (220V Systems available, pricing on request.)

ITEM
1 Outlet
2 Outlet
3 Outlet
4 Outlet
5 Outlet

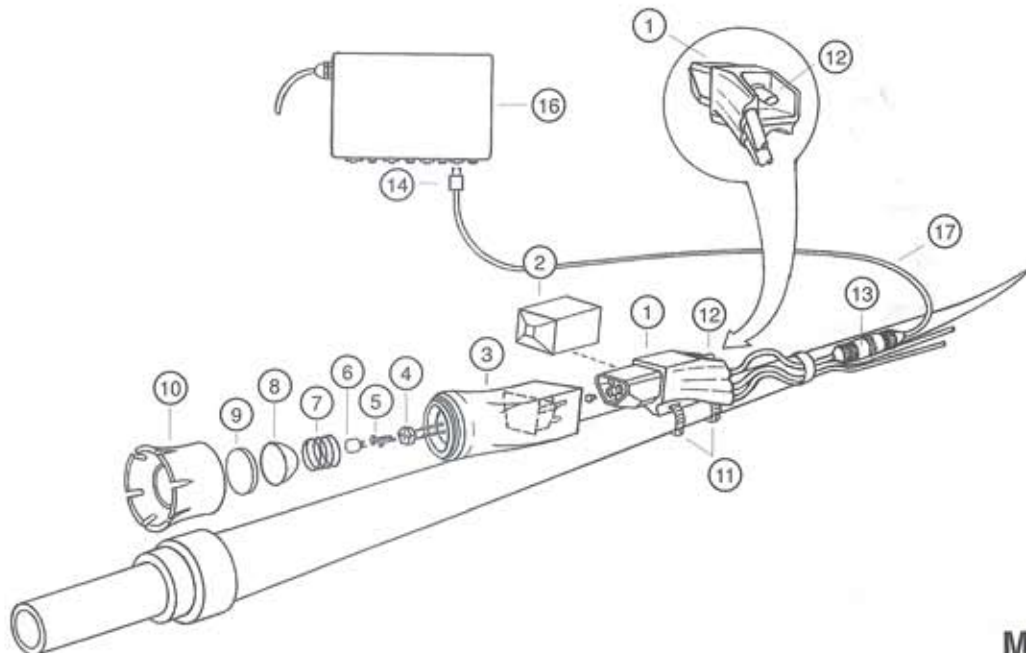
ITEM
6 outlet
7 Outlet
8 Outlet
9 Outlet
10 Outlet

Ask about our *cut to order* Electric Power Cord

3200PS requires 40 PSI of clean compressed air delivered at 4-6 CFM.

MODEL 3200PS ABRASIVE BLAST LIGHT SYSTEM PARTS

ITEM #	PART #	DESCRIPTION
1	3200	Abrasive Blast Light - Complete
	3200P	Combination Pneumatic Deadman Twin Line Remote Control Valve/Blast Light Receptacle with 4' cord
2	3203	Protective Front Cover
11	3111	Hose Clamp - Screw Type (2)
13	3113-1	Cord Connector - 3 Part - Strain Relief Type - 3/4" (2)
16	3127	Power Pack - Multi Outlet Power Packs Available



Model 3200PS
Replacement Parts & Accessories

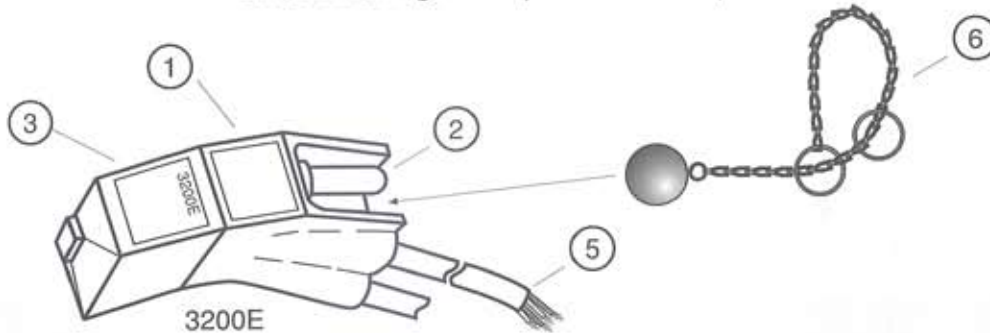
ITEM #	PART #	DESCRIPTION
3	3201	Abrasive Blast Light Body Only
4	3103	Lamp Socket
5	3105	Metal Screw (2)
6	3106	Halogen Bulb (box of 10)
7	3207	Spring, Retainer
8	3108	Reflector
9	3109	Pyrex Lens (box of 12)
10	3202	Shock Absorbing Light Collar
12	1101	Toggle Valve Boot - Pneumatic Relieving Type
14	3116	Male Twist Lock Plug - Power Pack Box
16	14.26	Premium Power Cord 14/2 SO
	3118	3 Prong Plug (not Shown)
		1/4" Twin Air Line Hose & Non-restricting
		1/4" Fittings (not supplied or shown)

MODEL 3200E COMPLETE

Combination Electric Deadman Remote Control Switch/Abrasive Blast Light Receptacle

Price includes (1) 3200E, (2) 3111 Hose Clamps, (1) 3203 Protective Front Cover, (1) 1102 Ball & Chain.

ITEM #	PART #	DESCRIPTION
1	3200E	Combination Electric Deadman Remote Control Switch/Blast Light Receptacle with 4' of power cord



MODEL 3200E Replacement Parts and Accessories

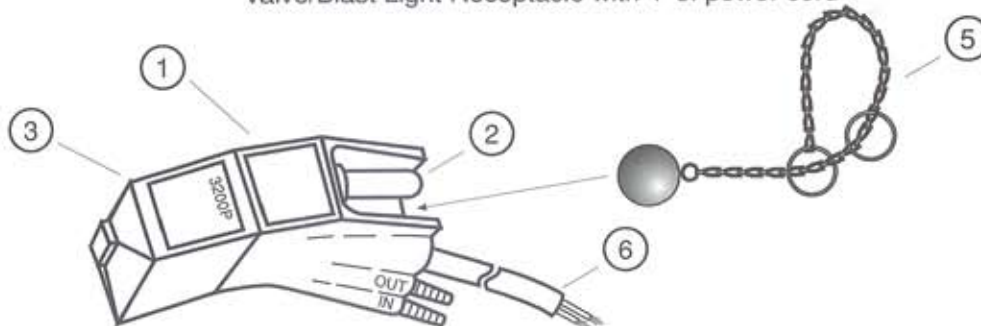
ITEM #	PART #	DESCRIPTION
2	3101	Toggle Switch Boot - Electric
3	3203	Protective Front Cover
4	3111	Hose Clamp - Screw Type (2) (not shown)
5	16.46	Premium Power Cord 16/4 SO
6	1102	Ball & Chain

MODEL 3200P COMPLETE

Combination Pneumatic Deadman Remote Control Switch/Abrasive Blast Light Receptacle

Price includes (1) 3200P, (2) 3111 Hose Clamps, (1) 3203 Protective Front Cover, (1) 1102 Ball & Chain.

ITEM #	PART #	DESCRIPTION
1	3200P	Combination Pneumatic Deadman Twin Line Remote Control Valve/Blast Light Receptacle with 4' of power cord



Note: This system is not recommended for use with airline in excess of 50'.

MODEL 3200P Replacement Parts and Accessories

ITEM #	PART #	DESCRIPTION
2	3101	Toggle Valve Boot - Pneumatic Relieving Type
3	3203	Protective Front Cover
4	3111	Hose Clamp - Screw Type (2) (not shown)
5	1102	Ball & Chain
6	14.26	Premium Power Cord 14/2 SO

MODEL 3300S MULTIPURPOSE / ABRASIVE BLAST LIGHT SYSTEM COMPLETE

120V System price per number of outlets from a single power pack (17V out). Price includes per outlet, (1) 3300 Light Assembly, 6' of cord, (2) 3113-1 Cord Connectors (1 each for 2 or more outlets), (1) 3116 Male Twist Lock Plug [for (2) or more outlet power pack], Technical Bulletin & Wiring Chart. (220V System available, pricing on request.)

ITEM

1 Outlet
2 Outlet
3 Outlet
4 Outlet
5 Outlet

ITEM

6 outlet
7 Outlet
8 Outlet
9 Outlet
10 Outlet

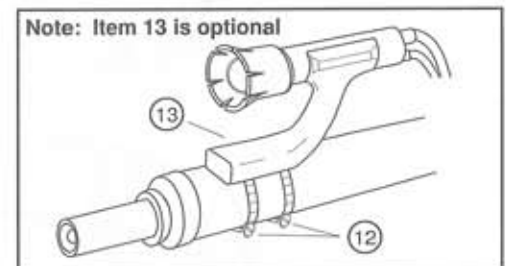
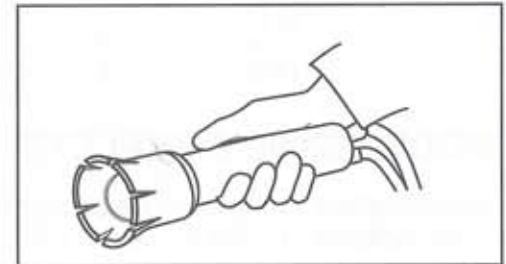
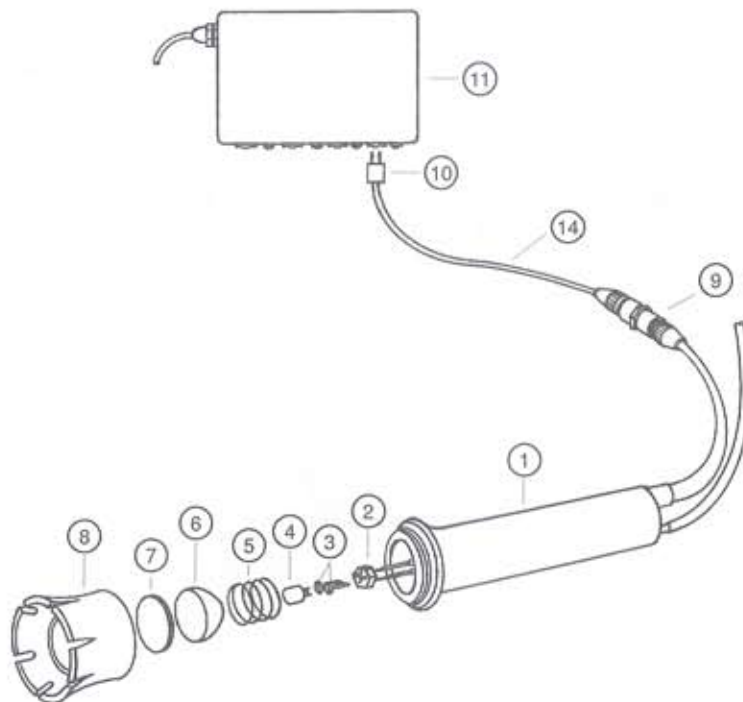
Liquid Tight Option - Model 3300SLT (Single Outlet Only)

Ask about our *cut to order* Electric Power Cord

3300S requires 40 PSI of clean compressed air delivered at 4-6 CFM.

MODEL 3300S MULTIPURPOSE / ABRASIVE BLAST LIGHT SYSTEM PARTS

ITEM #	PART #	DESCRIPTION
	3300	Abrasive Blast Light - Complete with six (6) feet of 14.26
9	3113-1	Cord Connector - 3 Part - Strain Relief Type - 3/4"
11	3127	Power Pack - one outlet Multi-outlet power packs available



Model 3300S Replacement Parts & Accessories

ITEM #	PART #	DESCRIPTION
1	3301	Abrasive Blast Light Body Only
2	3103	Lamp Socket
3	3105	Metal Screw (2)
4	3106	Halogen Bulb (box of 10)
5	3207	Spring, Retainer
6	3108	Reflector
7	3109	Pyrex Lens (box of 12)
8	3202	Shock Absorbing Light Collar
10	3116	Male Twist Lock Plug - Power Pack Box
12	3111	Hose Clamp - Screw Type (2)
13	3112	Light Stanchion - (price includes (2) 3111 Hose Clamps)
14	14.26 3118	Premium Power Cord 14/2 SO 3 Prong Plug (not shown)

MODEL 3400 LOW VOLTAGE MULTIPURPOSE / ABRASIVE BLAST LIGHT

Designed to run on 12 Volt either AC or DC power supply. No compressed air required for operation.

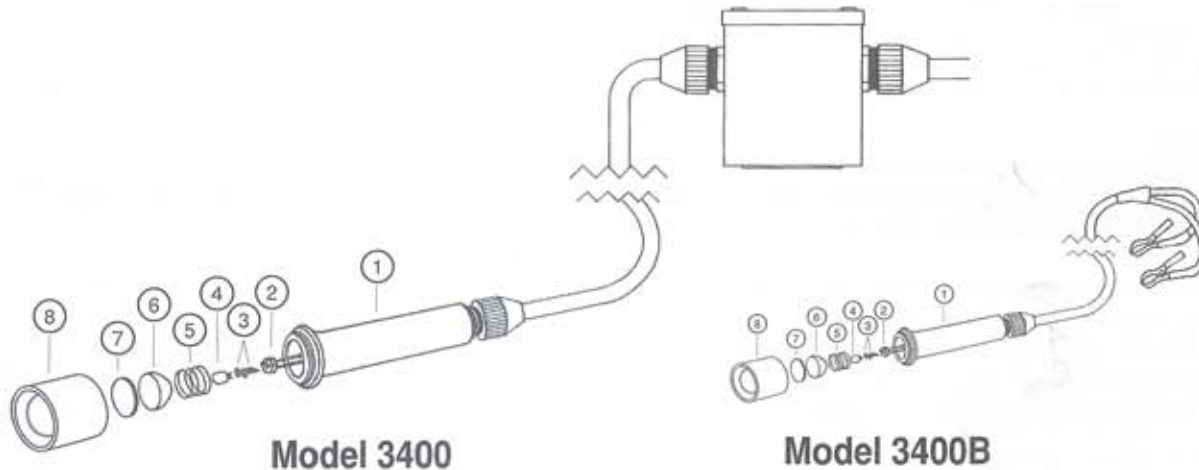
SYSTEMS COMPLETE:

PART #	DESCRIPTION
3400S	1 Outlet 12 Volt No Air Light Power Pack with 75' 14.2 AWG SO Cable
3400S150	1 Outlet System Complete with 150' 14.2 AWG SO Cable
	2 Outlet with 75' 14.2 AWG SO Cable
	3 Outlet with 75' 14.2 AWG SO Cable
3400S-4	4 Outlet Power Pack 12 Volt No Air Light System with 75' 14.2 AWG SO Cable
	5 Outlet with 75' 14.2 AWG SO Cable
	6 Outlet with 75' 14.2 AWG SO Cable
	7 Outlet with 75' 14.2 AWG SO Cable
	8 Outlet with 75' 14.2 AWG SO Cable
	9 Outlet with 75' 14.2 AWG SO Cable
	10 Outlet with 75' 14.2 AWG SO Cable
3400B	12 Volt No Air Light with Battery Clamps with 75' 14.2 AWG SO Cable
3400B150	12 Volt No Air Light with Battery Clamps with 150' 14.2 AWG SO Cable

Ask about our *cut to order* electric power cord

MODEL 3400 ABRASIVE BLAST LIGHT SYSTEM PARTS

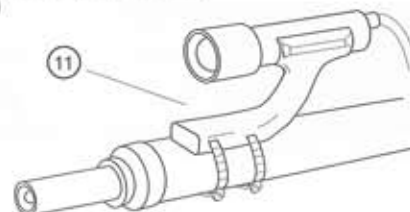
ITEM #	PART #	DESCRIPTION
1-9	3400	Abrasive Blast Light - Complete with 6 (six) feet of 14.26
12	3427	Power Pack - One Outlet Multi outlet Power Packs available



Replacement Parts & Accessories

ITEM #	PART #	DESCRIPTION
1	3401	Abrasive Blast Light Body Only
2	3103	Lamp Socket
3	3105	Metal Screw (2)
4	3406	Halogen Bulb (box of 10)
5	3207	Spring, Retainer
6	3108	Reflector
7	3109	Pyrex Lens (box of 12)
8	3402	Shock Absorbing Light Collar
9	14.26	Premium Power Cord 14/2 SO
	3115	Male Twist Lock Plug (not shown)
	3117	Female Twist Lock Receptacle (not shown)
	3118	3 Prong Plug (not shown)

Note: Item 11 is optional.



10	3111	Hose Clamp - Screw Type (2)
11	3112	Light Stanchion - (price includes (2) 3111 Hose Clamps)